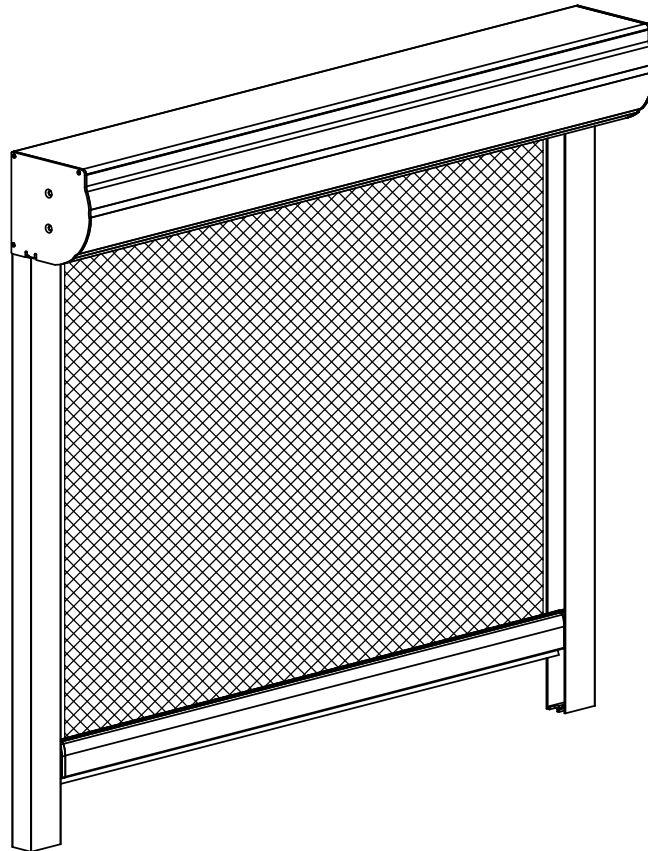
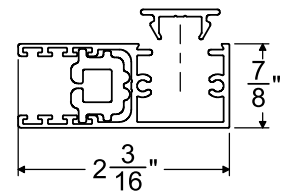


Zipper Track Drop Screen

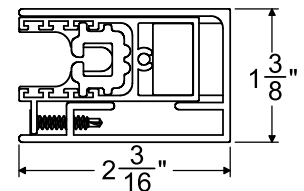
Motorised drop screen with the zipper track side retention system



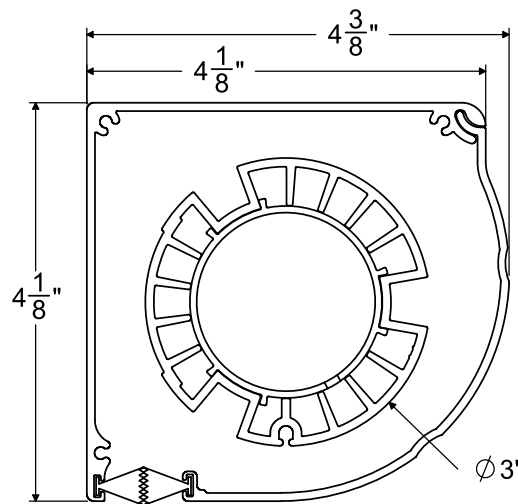
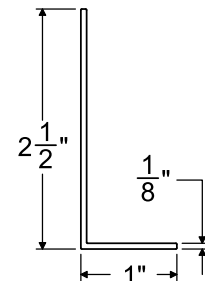
Surface or Inset Mount
Side Track



Recessed Side Track
(Preconstruction)

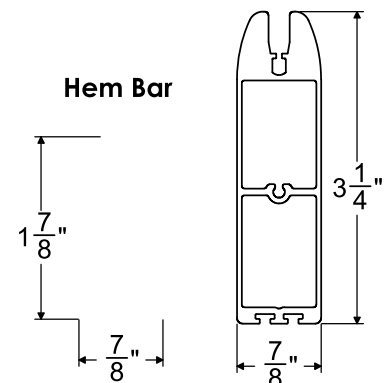


"L" Mounting Bracket
(optional)



Housing

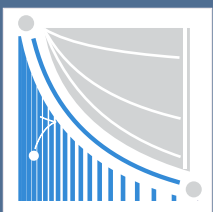
Tall Hem Bar



LANGLEY
AWNING & SIGN

COMMERCIAL & RESIDENTIAL

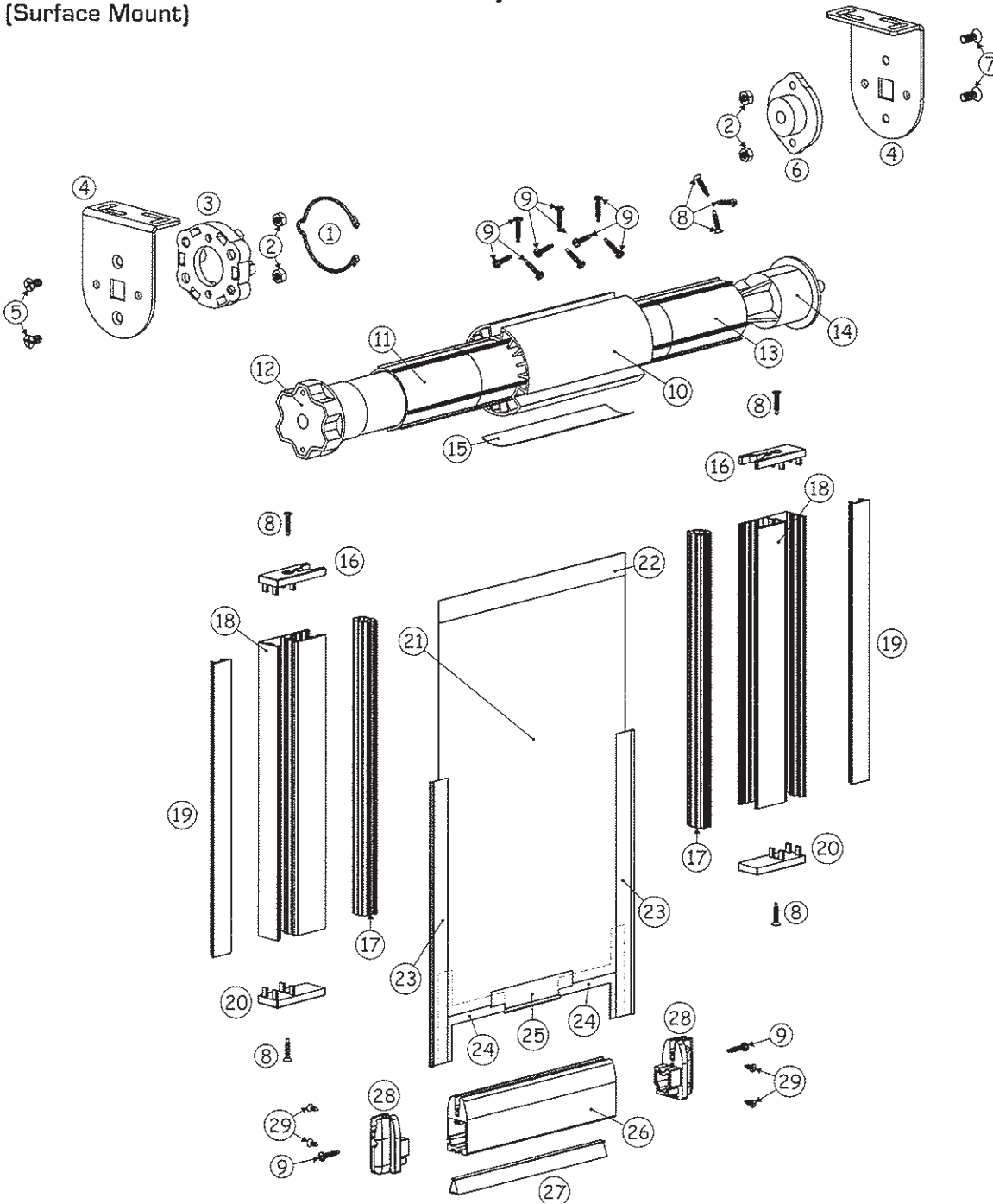
www.langleyawning.com



Zipper Track Drop Screen

Motorised drop screen with the zipper track side retention system

[Surface Mount]



PHONE: (604) 530-2554,
FAX: (604) 530-1382
info@langleyawning.com

UNIT 304 20445 62ND AVE,
LANGLEY, BC V3A 5E6

LANGLEY
AWNING & SIGN
COMMERCIAL & RESIDENTIAL
www.langleyawning.com

